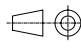


0	12.02.02	ISSUED	AC	AC	
Rev.	Date	Description	Drawn	Checked	Approved
CACCIALANZA & C. S.p.A. ANTINCENDIO SICUREZZA ANTINQUINAMENTO SEGRATE (MILANO) - ITALY		Client / Project			
		Title			
		PORTABLE FIELD COMMAND PANEL UZKP LKS6 STANDARD EXECUTION			
	Date	Name			
Drawn	12.02.02	CA			
Checked	12.02.02	CA			
Approved	12.02.02	AM			
Code	Sys.	Size	Scale	Dwg nr.	Rev.
		A3		46413801	0
				Sheet	1
				of	4
THIS DRAWING IS THE PROPERTY OF CACCIALANZA & C. S.p.A. AND IS NOT TO BE REPRODUCED OR USED TO FURNISH ANY INFORMATION FOR MAKING OF DRAWINGS OR APPARATUS EXCEPT WHERE PROVIDED FOR BY AGREEMENT WITH SAID COMPANY					

SHEET	DESCRIPTION										SHEET	DESCRIPTION										0
	MODIFY											MODIFY										
	A	B	C	D	E	F	G	H	I			A	B	C	D	E	F	G	H	I		
1	COVER										29											
2	MODIFY TABLE										30											
3	TECHNICAL DATA										31											1
4	UZK LAY-OUT AND FRONT PANEL										32											
											33											
											34											2
											35											
											36											
											37											3
											38											
											39											
											40											4
											41											
											42											
											43											5
											44											
											45											
											46											6
											47											
											48											
											49											7
											50											
											51											
											52											8
											53											
											54											
											55											9
											56											

CACCIALANZA & C S.p.A. ANTINCENDIO SICUREZZA ANTINQUINAMENTO SEGRATE (MILANO) - ITALY	TITLE PORTABLE FIELD COMMAND PANEL TYPE A3-A4-A6-A8/EL	CLIENT	DATE 12.02.02	DWG N° 46413801
			SCALE	
			DRAWN CA	
			CHECKED CA	PROJECT N°
0 ISSUED	12.02.02	DATE	APPROVED	SHEET N° 2 OF 4

a b c d e f g h i j k m n p q r

0
1
2
3
4
5
6
7
8
9

PANEL BOARD TECHNICAL DATA

RATED SERVICE VOLTAGE:.....230V	TYPE OF SEGREGATION:.....FORM 1	TEMPERATURE:.....40°C
RATED INSULATION VOLTAGE:.....1000V	INSTALLATION:.....OUTDOOR	DEGREE OF PROTECTION:see page 10-11
RATED FREQUENCY:.....50Hz	COMPLIANCE WITH STANDARD:.....CEI 17/13.1	COLOR:.....RED RAL7032
ELECTRICAL SYSTEM:.....1Ph+PE	IN/OUT CABLES:.....BOTTOM	

CACCIALANZA & C S.p.A.
 ANTINCENDIO SICUREZZA ANTINQUINAMENTO
 SEGRATE (MILANO) - ITALY

TITLE
 PORTABLE FIELD COMMAND PANEL
 TYPE A3-A4-A6-A8/EL

CLIENT

		DATE	12.02.02
		SCALE	
		DRAWN	CA
0	ISSUED	12.02.02	CHECKED CA
REV.	MODIFY	DATE	APPROVED

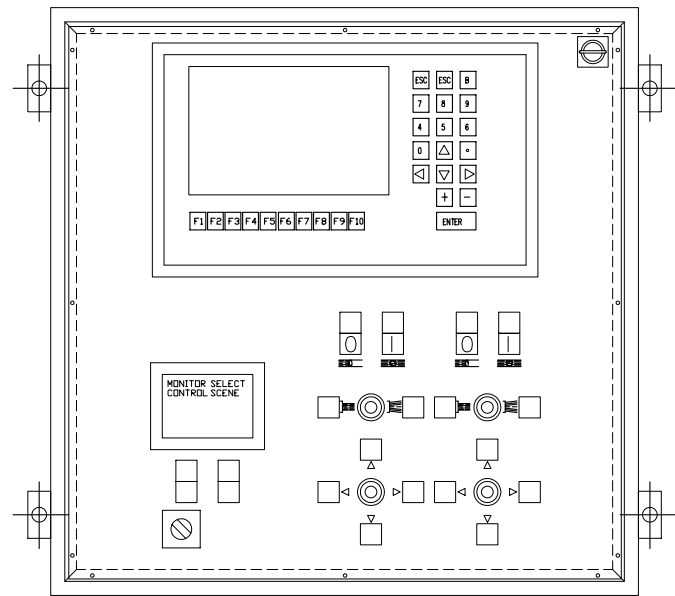
DWG N° 46413801

PROJECT N°

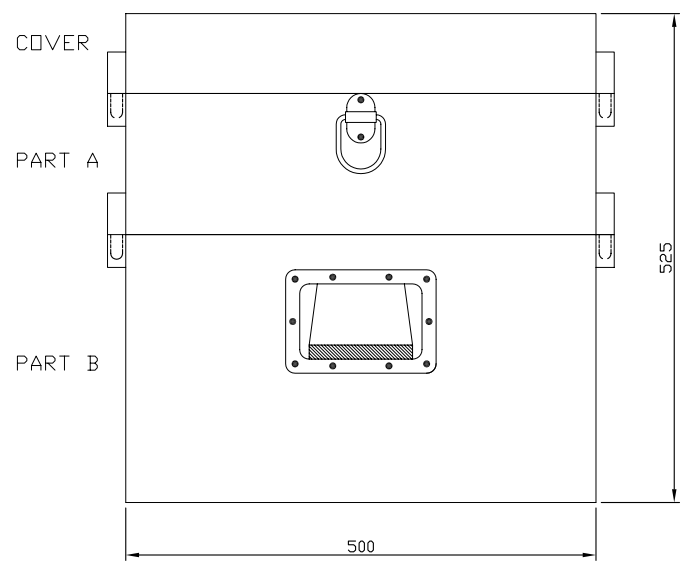
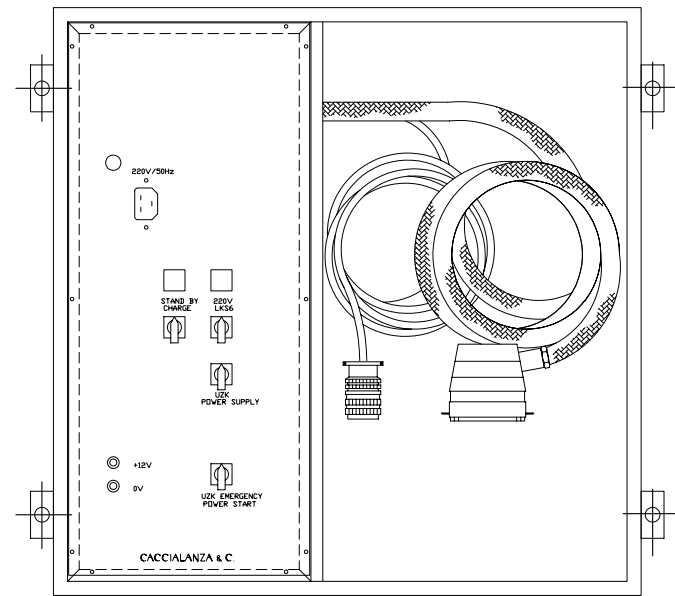
SHEET N°. 2 OF 4

a b c d e f g h i j k m n p q r

PART A



PART B



TO GET THE ELECTRICAL DAIGRAM OF THIS PANEL
PLEASE CONTACT OUR COMPANY

CACCIALANZA & C S.p.A.
ANTINCENDIO SICUREZZA ANTINQUINAMENTO
SEGRATE (MILANO) - ITALY

TITLE
PORTABLE FIELD COMMAND PANEL
TYPE A3-A4-A6-A8/EL

CLIENT

		DATE	12.02.02	DWG N°	46413801
		SCALE			
		DRAWN	CA		
0	ISSUED	12.02.02	CHECKED	CA	PROJECT N°
REV.	MODIFY	DATE	APPROVED		SHEET N°. 2 OF 4

0
1
2
3
4
5
6
7
8
9